

Hall Effect DC Current Sensor CYHCT-C1TV

This Hall Effect current sensor can be used for measurement of DC current. The output of the transducer reflects the real wave of the current carrying conductor.

Product Characteristics	Applications
<ul style="list-style-type: none"> • Excellent accuracy • Very good linearity • Light in weight • Less power consumption • Window structure • Electrically isolating the output of the transducer from the current carrying conductor • No insertion loss • Current overload capability 	<ul style="list-style-type: none"> • Photovoltaic equipment • Frequency conversion timing equipment • Various power supply • Uninterruptible power supplies (UPS) • Electric welding machines • Numerical controlled machine tools • Electrolyzing and electroplating equipment • Electric powered locomotive • Microcomputer monitoring • Electric power network monitoring

Electrical Data/Input

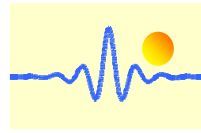
Primary Nominal DC Current I_r (A)	Primary Current Measuring Range I_p (A)	DC Output Voltage (V)	Part number (see application notes on page 3)
25A	0 ~ ±25A	x=0: 0-4V ±1.0% x=3: 0-5V ±1.0% x=8: 0-10V ±1.0%	CYHCT-C1TV-U/B25A-xnC
30A	0 ~ ±30A		CYHCT-C1TV-U/B30A-xnC
40A	0 ~ ±40A		CYHCT-C1TV-U/B40A-xnC
50A	0 ~ ±50A		CYHCT-C1TV-U/B50A-xnC
100A	0 ~ ±100A		CYHCT-C1TV-U/B100A-xnC
200A	0 ~ ±200A		CYHCT-C1TV-U/B200A-xnC
300A	0 ~ ±300A		CYHCT-C1TV-U/B300A-xnC
400A	0 ~ ±400A		CYHCT-C1TV-U/B400A-xnC
500A	0 ~ ±500A		CYHCT-C1TV-U/B500A-xnC
600A	0 ~ ±600A		CYHCT-C1TV-U/B600A-xnC

(n=2, V_{cc} = +12VDC; n=3, V_{cc} =+15VDC; n=4, V_{cc} =+24VDC, U: unidirectional, B: bidirectional)
(Connector: Molex connector C=M; Phoenix Connector: C=P)

Supply Voltage: V_{cc} =+12V, +15V, +24V± 5%
Current Consumption: I_c < 25mA
Isolation Voltage: 2.5kV, 50/60Hz, 1min

Electrical Data/Output

Output Voltage at I_r , $T_A=25^\circ\text{C}$: V_{out} =0- 4V, 0-5V, 0-10VDC
Output Impedance: R_{out} < 150Ω
Load Resistor: R_L > 10kΩ
Accuracy at I_r , $T_A=25^\circ\text{C}$, X <1.0% FS
Linearity from 0 to I_r , $T_A=25^\circ\text{C}$, E_L <1.0% FS
Electric Offset Voltage, $T_A=25^\circ\text{C}$, V_{oe} <50mV
Magnetic Offset Voltage ($I_r \rightarrow 0$) V_{om} <±20mV
Thermal Drift of Offset Voltage, V_{ot} <±1.0mV/°C
Thermal Drift (-10°C to 50°C), T.C. < ±0.1% /°C
Response Time at 90% of I_p ($f=1\text{kHz}$) t_r < 1ms



Frequency Bandwidth (-3dB),
Case Material:

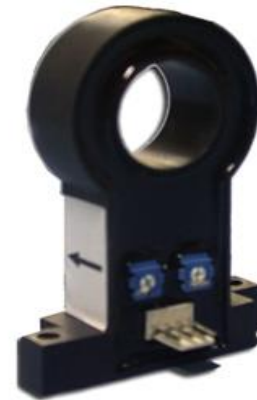
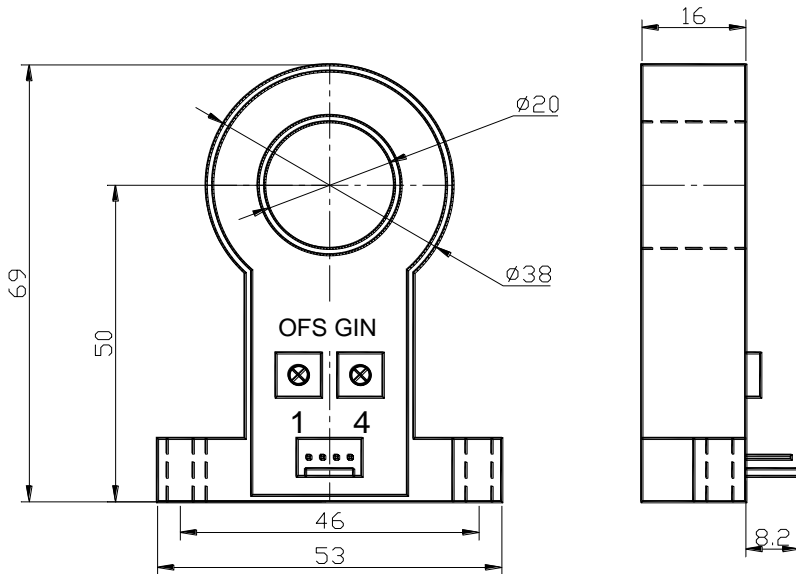
$f_b = DC - 20\text{ kHz}$
PBT, heat resistant 100°C flame retardant

General Data

Ambient Operating Temperature,
Ambient Storage Temperature,

$T_A = -25^\circ\text{C} \sim +85^\circ\text{C}$
 $T_S = -40^\circ\text{C} \sim +100^\circ\text{C}$

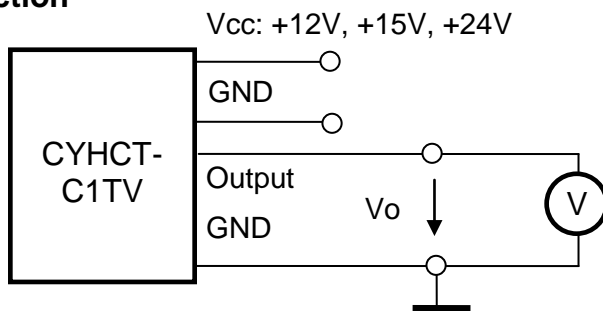
PIN Definition and Dimensions



1(+): Vcc
2(G): 0V (GND)
3(O): Output
4(G): 0V GND

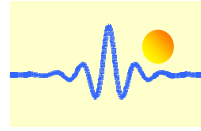
OFS: Offset Adjustment GIN: Gain Adjustment

Connection



Notes:

1. Connect the terminals of power source, output respectively and correctly, never make wrong connection.
2. Two potentiometers can be adjusted, only if necessary, by turning slowly to the required accuracy with a small screwdriver.
3. The best accuracy can be achieved when the window is fully filled with bus-bar (current carrying conductor).
4. The in-phase output can be obtained when the direction of current of current carrying conductor is the same as the direction of arrow marked on the transducer



Application Notes

1) Part number CYHCT-C1TV-U/BxxxA-xnC

U: unidirectional input current; **B:** bidirectional input current; **xxx:** current value; **x:** output voltage (**x=0:** 0-4V $\pm 1.0\%$; **x=3:** 0-5V $\pm 1.0\%$; **x=8:** 0-10V $\pm 1.0\%$); **n:** power supply (**n=2,** Vcc= +12VDC; **n=3,** Vcc =+15VDC; **n=4,** Vcc =+24VDC.); **C:** Connector (Molex connector **C=M;** Phoenix Connector: **C=P**)

Example 1: CYHCT-C1TV-U100A-32M Hall Effect DC Current sensor with
Output signal: 0 – 5V DC
Power supply: +12V DC
Rated input current: 0 - 100A DC (unidirectional)
Connector: Molex connector

Example 2: CYHCT-C1TV-B100A-84P Hall Effect DC Current sensor with
Output signal: 0 – 10V DC
Power supply: +24V DC
Rated input current: -100A - 0 - +100A DC (bidirectional)
Connector: Phoenix connector

2) Relation between Input current and output signal

Current Sensor CYHCT-C1TV-U100A-32M	
Input current (A)	Output voltage Vo (V)
0	0
25	1.25
50	2.5
75	3.75
100	5

Current Sensor CYHCT-C1TV-B100A-84P	
Input current (A)	Output voltage Vo (V)
-100	0
-75	1.25
-50	2.5
-25	3.75
0	5
25	6.25
50	7.5
75	8.75
100	10